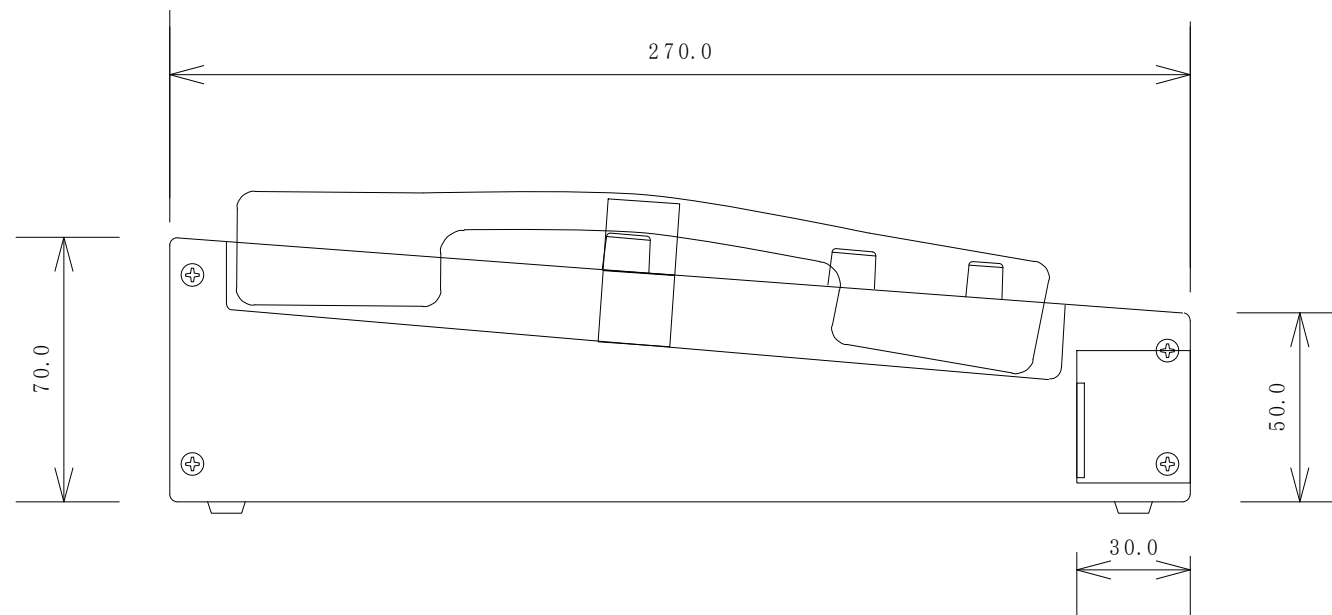
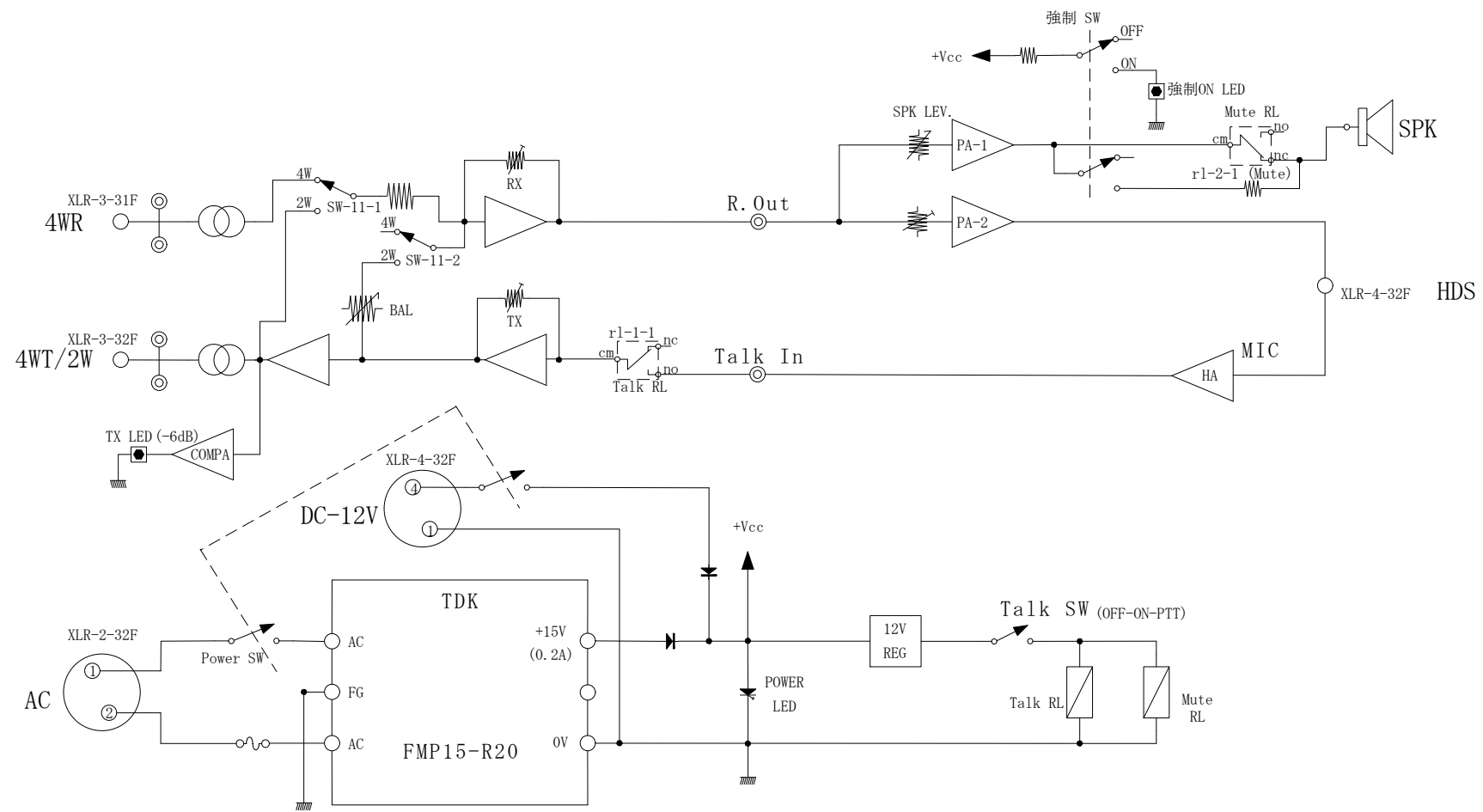


ハンドセット固定用マジックテープ

内部に緩衝材貼付



REVISION	APPROVED	CHECKED	DRAWIN	DESIGNED	SCALE	DESCRIPTION	DRAWING NO.
			KY	KF	1/2	4W/2W 指令機 RMS-421HDS MODEL RMS-421HDS 外観図	
2008/08/06							



VER-10

REVISION	APPROVED	CHECKED	DRAWIN	DESIGNED	SCALE	DESCRIPTION	DRAWING NO.
			KF	KF	FREE	4W/2W 指令機 RMS-421HDS MODEL RMS-421HDS BLOCK	
2008/08/06							